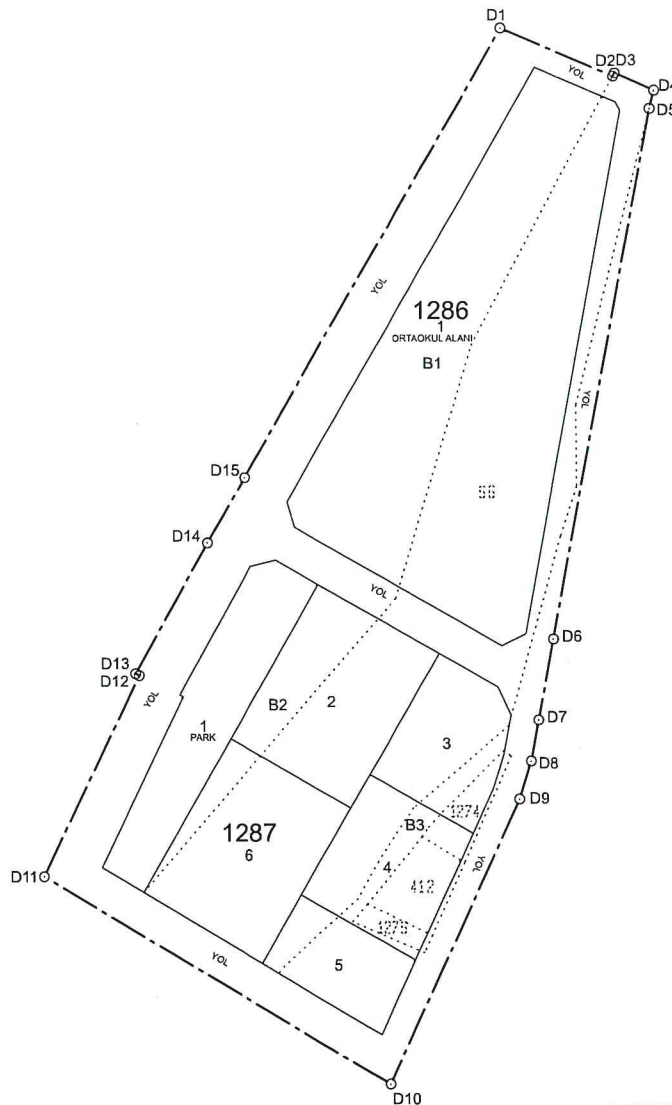


İLİ	ÇANKIRI
İLÇESİ	MERKEZ
MAH./KÖY	KARATEKİN

## KARATEKİN MAHALLESİ DÜZENLEME SINIR KROKİSİ

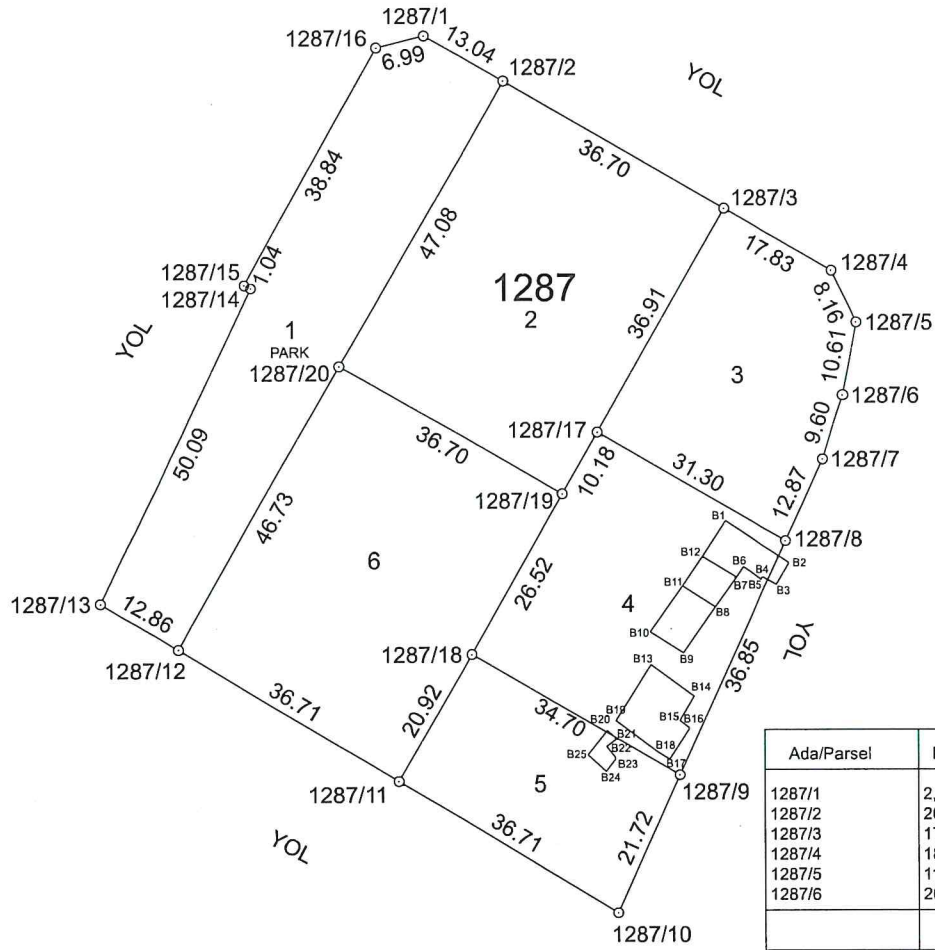


ED50 3° KOORDİNE ÖZET ÇİZELGESİ

Nokta No	Y	X
D1	554074.39	4498302.70
D2	554104.15	4498289.92
D3	554104.60	4498290.77
D4	554114.92	4498286.18
D5	554113.71	4498281.35
D6	554087.93	4498141.17
D7	554083.85	4498119.77
D8	554081.84	4498108.89
D9	554078.70	4498098.84
D10	554044.20	4498023.55
D11	553952.42	4498078.72
D12	553978.07	4498131.79
D13	553977.15	4498132.30
D14	553996.34	4498166.84
D15	554006.31	4498184.04

.....	KADASTRO SINIRI
-----	DÜZENLEME SINIRI
—————	İMAR SINIRI

		UYGUNDUR		KONTROL EDİLMİŞTİR
	DÜZENLEYEN	BELEDİYE / ÖZEL İDARE		KADASTRO MÜDÜRLÜĞÜ
		KONTROL EDEN	ONAYLAYAN	
ADI SOYADI	Murat ACAR			
TARİH	Harita Mühendisi Oda Sic. No: 19239 Dip. No: 2019-0256055			
İMZA				



Ada/Parsel	Noktalar	Hesap Alan	Düzeltilme	Deng. Alan
1287/1	2,1,16,15,14,13,12,20	1497.65	+0.00	1497.65
1287/2	20,2,3,17,19	1728.20	+0.00	1728.20
1287/3	17,3,4,5,6,7,8	1028.59	+0.00	1028.59
1287/4	18,19,17,8,9	1211.02	+0.00	1211.02
1287/5	11,18,9,10	759.17	+0.00	759.17
1287/6	20,19,18,11,12	1728.24	-0.00	1728.24
	TOPLAM	7952.87	-0.00	7952.87
Tapu Alanı		7952.87		
HESAPLANAN		7952.87		
FARK		-0.00		
Yanılma		33.66		



Datum : ED50  
Projeksiyon : UTM (Universal Transvers Merkator) 3°

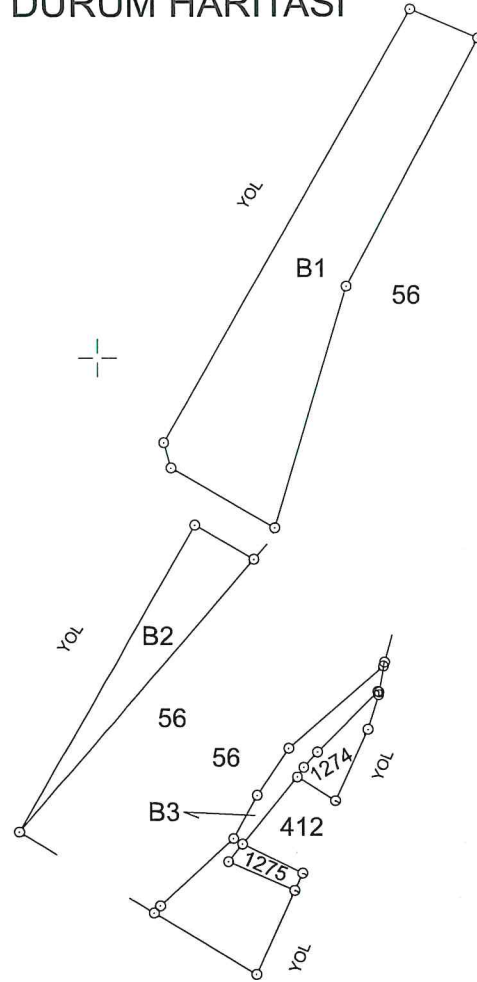
Nokta No	Y	X	MK*
1287/1	554014.48	4498162.23	0.09
1287/2	554025.78	4498155.73	0.09
1287/3	554057.59	4498137.43	0.09
1287/4	554073.05	4498128.54	0.09
1287/5	554076.48	4498121.13	0.09
1287/6	554074.55	4498110.69	0.09
1287/7	554071.68	4498101.53	0.09
1287/8	554066.33	4498089.83	0.09
1287/9	554050.97	4498056.33	0.09
1287/10	554041.93	4498036.58	0.09
1287/11	554010.46	4498055.50	0.09
1287/12	553979.00	4498074.41	0.09
1287/13	553967.98	4498081.03	0.09
1287/14	553989.78	4498126.13	0.09
1287/15	553988.83	4498126.57	0.09
1287/16	554007.71	4498160.52	0.09
1287/17	554039.19	4498105.44	0.09
1287/18	554020.89	4498073.63	0.09
1287/19	554034.20	4498096.77	0.09
1287/20	554002.39	4498115.07	0.09
B1	554057.65	4498092.74	0.09
B2	554066.84	4498086.69	0.09
B3	554065.00	4498083.57	0.09
B4	554063.08	4498084.66	0.09
B5	554062.85	4498084.29	0.09
B6	554060.22	4498086.15	0.09
B7	554059.23	4498084.62	0.09
B8	554056.15	4498080.37	0.09
B9	554051.54	4498073.79	0.09
B10	554046.73	4498076.81	0.09
B11	554051.46	4498083.38	0.09
B12	554054.33	4498087.58	0.09
B13	554046.85	4498072.10	0.09
B14	554053.06	4498067.56	0.09
B15	554051.00	4498064.13	0.09
B16	554052.43	4498062.99	0.09
B17	554049.47	4498058.58	0.09
B18	554047.87	4498059.55	0.09
B19	554041.71	4498064.10	0.09
B20	554040.43	4498062.71	0.09
B21	554041.80	4498061.48	0.09
B22	554040.37	4498060.41	0.09
B23	554041.71	4498058.71	0.09
B24	554040.25	4498056.84	0.09
B25	554037.67	4498059.19	0.09

İLİ	: ÇANKIRI	DÜZENLEYEN	UYGUNDUR BELEDİYE/ÖZEL İDARE		KADASTRO MÜDÜRLÜĞÜ
İLÇESİ	: MERKEZ		KONTROL EDEN	ONAYLAYAN	KONTROL EDEN
MAH./KÖY	: KARATEKİN	ADI-SOYADI	Murat NAR		
PAFTA NO	: G31-D-13-c-2-d	TARİH	Harita Mühendisi Oda Sic. No: 19239 Dip. No: 2019-0255055		
ADA/PARSEL NO	: 1287 / 1-2-3-4-5-6	İMZA			

## DURUM HARİTASI

↑  
1/2000

4498200



4498000

553800

4498000

554000

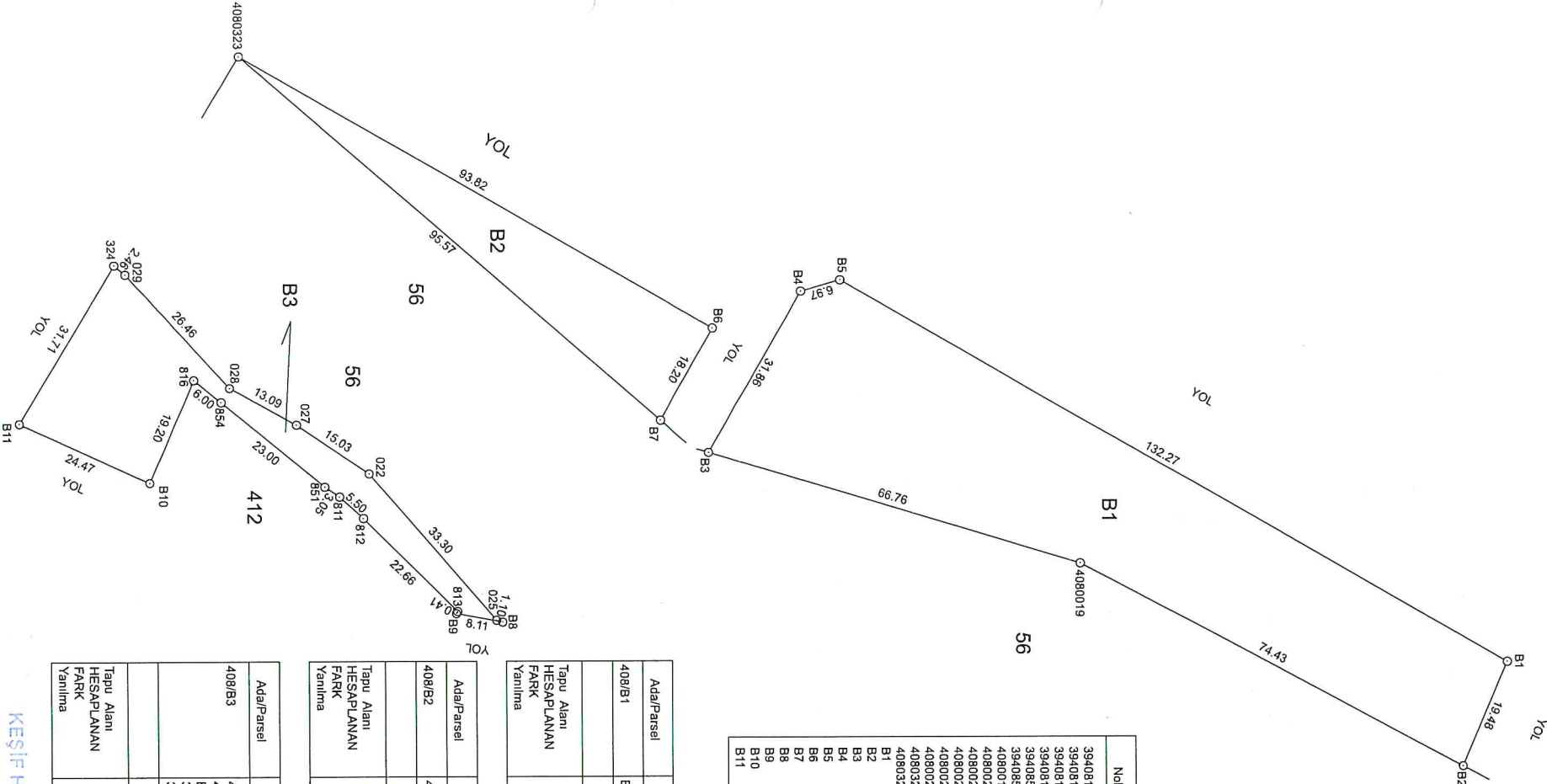
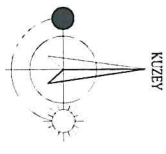
		UYGUNDUR	
		BELEDİYE / ÖZEL İDARE	
		KONTROL EDEN	ONAYLAYAN
ADİ SOYADI	Murat KAR		
TARİH	Harita Mühendisi Oda Sicil No: 19239 Dip. No: 2019-0255055		
İMZA			





İli	ÇANKIRI
İlçe	MERKEZ
Mah / Köy	KARATEKİN
Ada / Parsel	408 / B1-B2-B3
Yüzölçümü	5179.60 m <sup>2</sup>

## İHDAS KROKİSİ



ED50 3° KOORDİNATLAR

Nokta No	Y	X	MK*
3940811	554054.59	4498091.47	0.09
3940812	554058.30	4498095.53	0.09
3940813	554074.32	4498111.57	0.09
3940816	554034.52	4498086.50	0.09
3940851	554052.90	4498088.93	0.09
3940854	554038.33	4498071.14	0.09
4080019	554066.27	4498218.95	0.09
4080022	554050.64	4498096.53	0.09
4080025	554075.85	4498118.28	0.09
4080027	554042.24	4498084.07	0.09
4080028	554035.91	4498072.61	0.09
4080029	554016.35	4498054.79	0.09
4080323	553979.00	4498074.41	0.09
4080324	554014.75	4498052.92	0.09
B1	554093.41	4498292.30	0.09
B2	554101.31	4498284.61	0.09
B3	554047.13	4498194.99	0.09
B4	554019.51	4498170.88	0.09
B5	554017.58	4498177.57	0.09
B6	554025.78	4498155.73	0.09
B7	554041.56	4498146.66	0.09
B8	554076.15	4498119.34	0.09
B9	554074.67	4498111.36	0.09
B10	554052.12	4498058.83	0.09
B11	554041.93	4498035.58	0.09

Ada/Parsel	Noktalar	HesapAlan	Düzeltilme	Deng.Alan
408/B1	B3,B4,B5,B1,B2,4080019	3391.54	+0.00	3391.54
	TOPLAM	3391.54	+0.00	3391.54
Tapu Alanı HESAPLANAN FARK Yanılma		3391.54 3391.54 0.00 18.37		

Ada/Parsel	Noktalar	HesapAlan	Düzeltilme	Deng.Alan
408/B2	4080323,B6,B7	853.88	+0.00	853.88
	TOPLAM	853.88	+0.00	853.88
Tapu Alanı HESAPLANAN FARK Yanılma		853.88 853.88 0.00 8.07		

Ada/Parsel	Noktalar	HesapAlan	Düzeltilme	Deng.Alan
408/B3	4080324,4080029,4080028, 4080027,4080022,4080025, B8,B9,3940813,3940812, 3940811,3940851,3940854, 3940816,B10,B11	934.18	+0.00	934.18
	TOPLAM	934.18	+0.00	934.18
Tapu Alanı HESAPLANAN FARK Yanılma		934.18 934.18 0.00 8.47		

### KEŞİF HATIRASI MÜHENDİSLİK

Murat A. ...  
Düny. Paz. ...  
Apt. No: ...  
ÇANKIRI T.C. 34042234596

